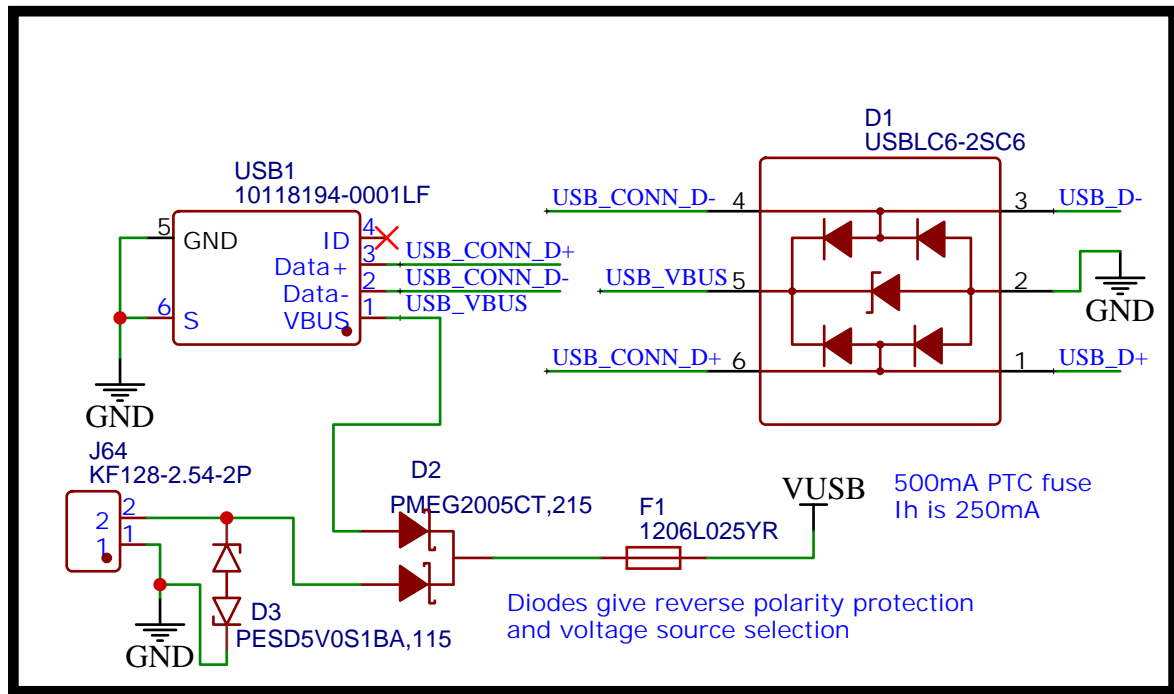
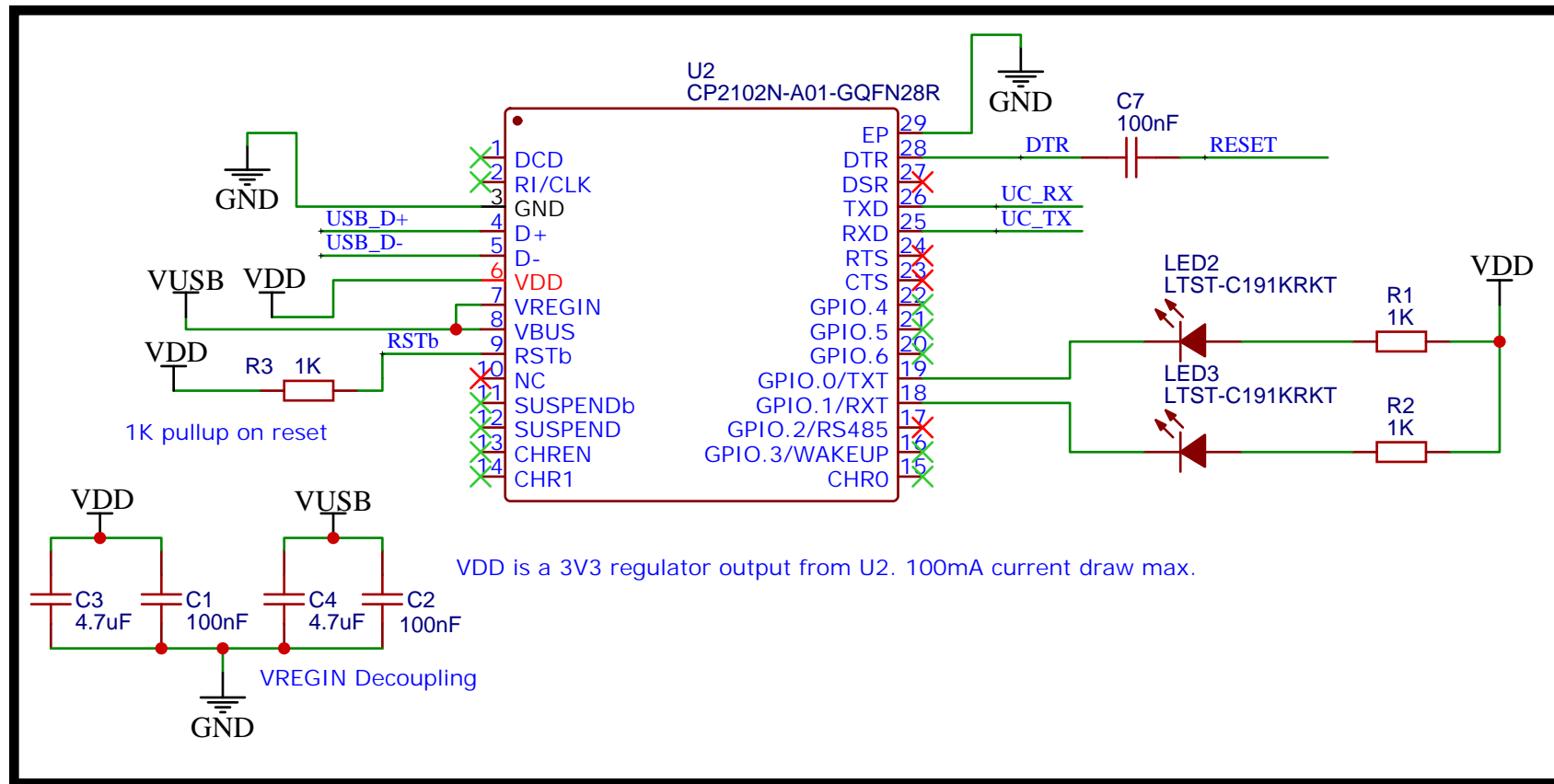


TITLE: ADC and Analog Multiplexers		REV: 1.0
	Company: A2D Electronics	Sheet: 1/5
	Date: 2020-08-24	Drawn By: Micah Black

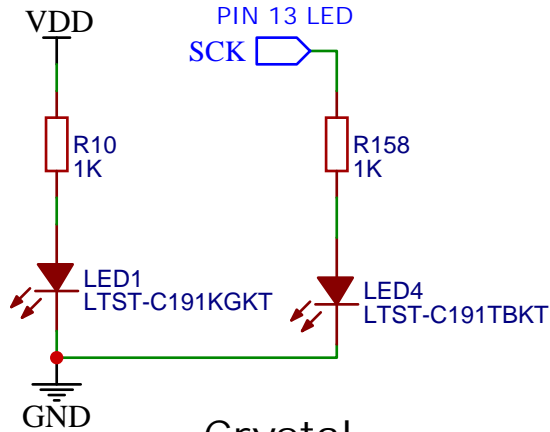
USB Input



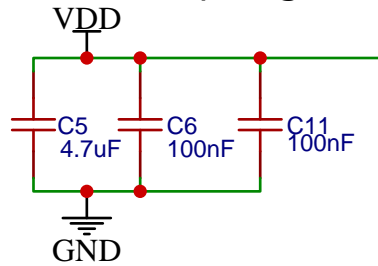
USB -> UART



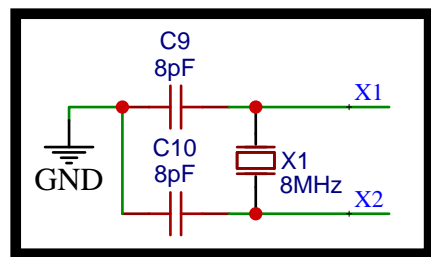
Power LED



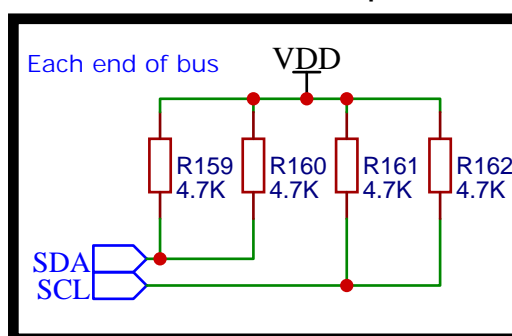
uC Decoupling



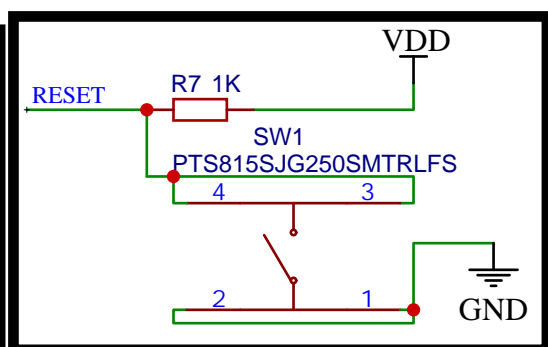
Crystal



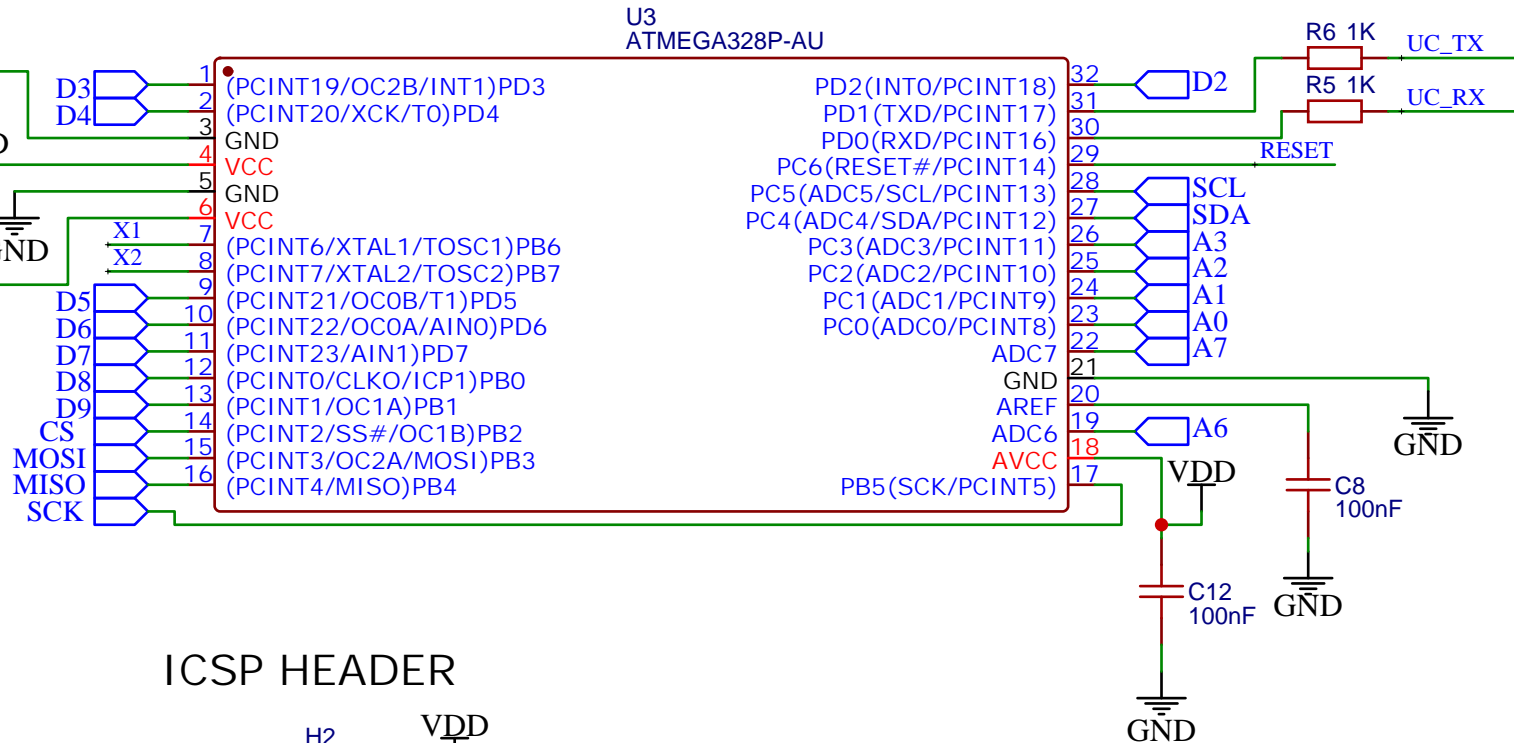
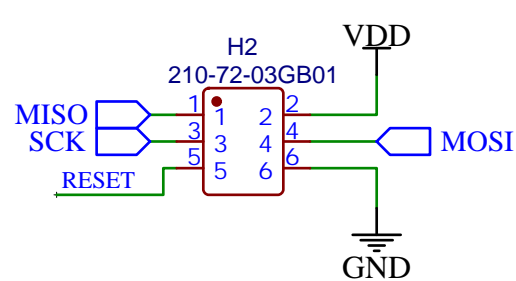
I2C Pullups



RESET Switch



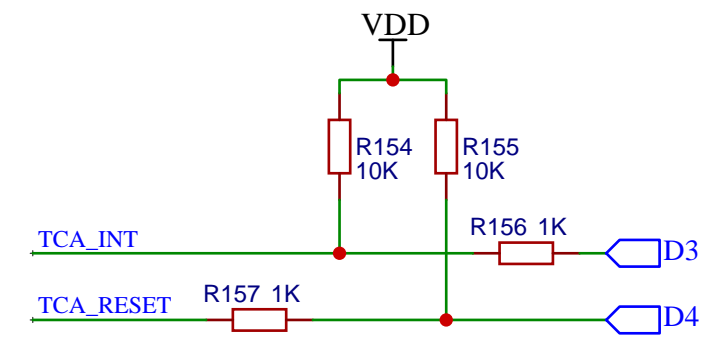
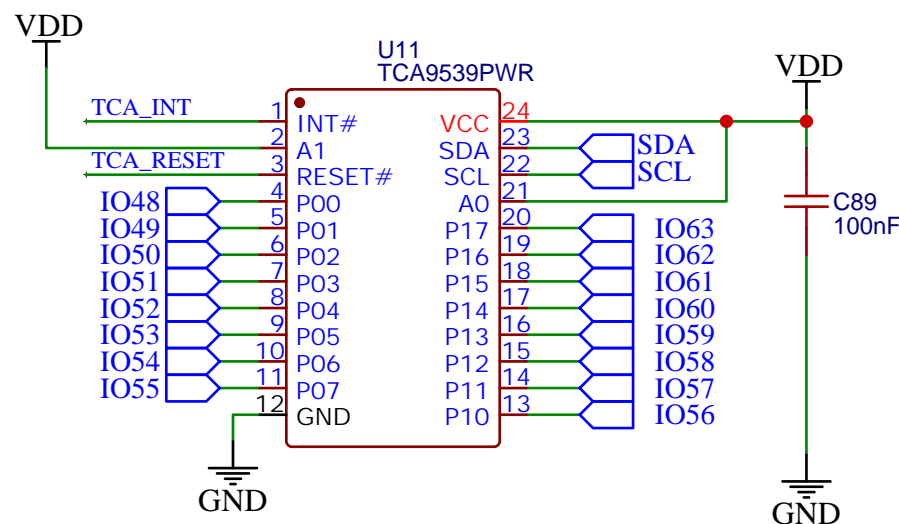
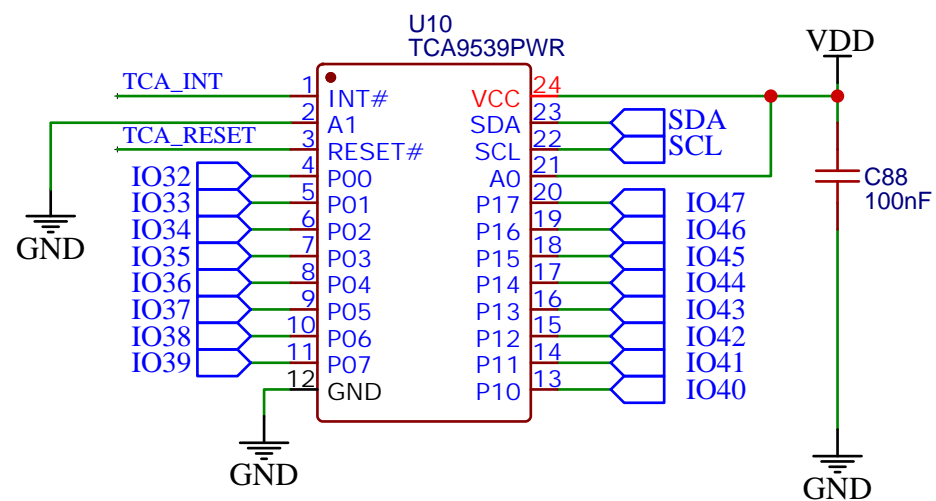
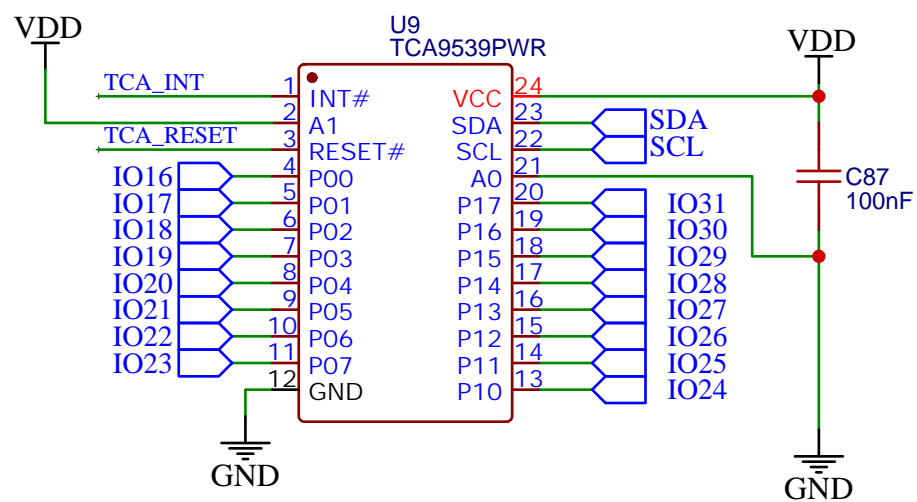
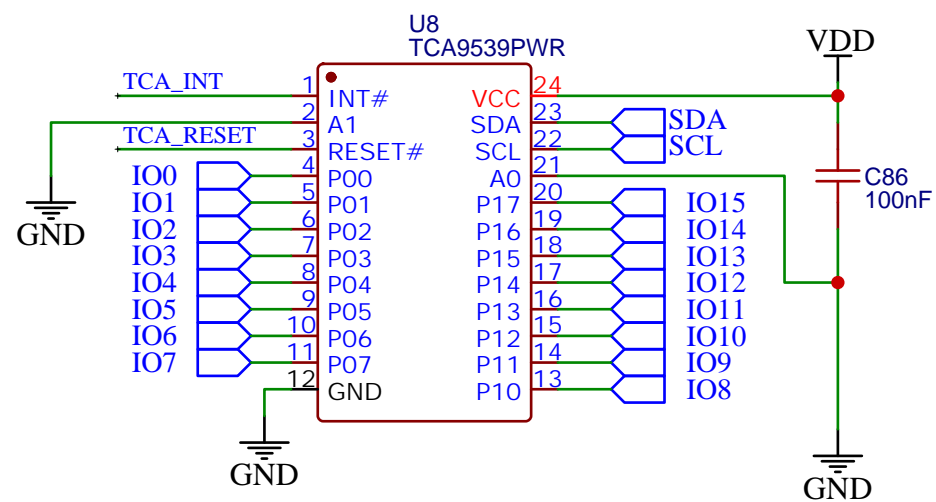
ICSP HEADER

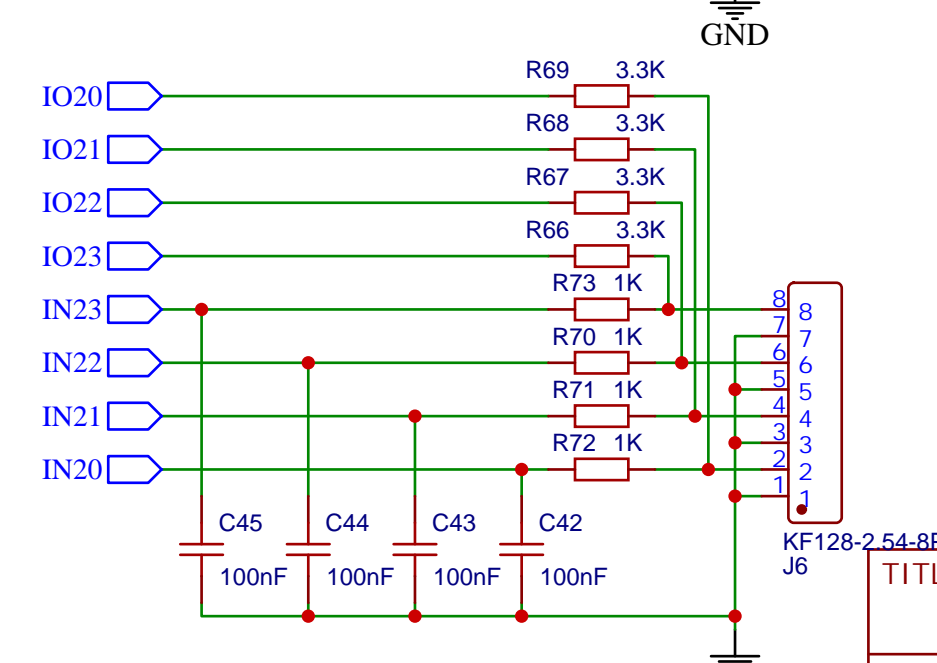
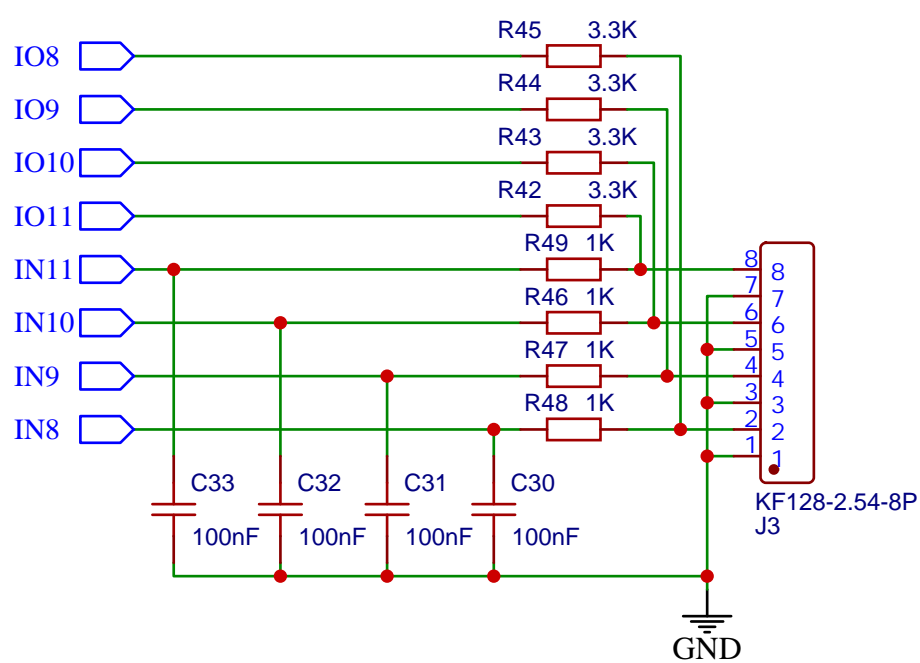
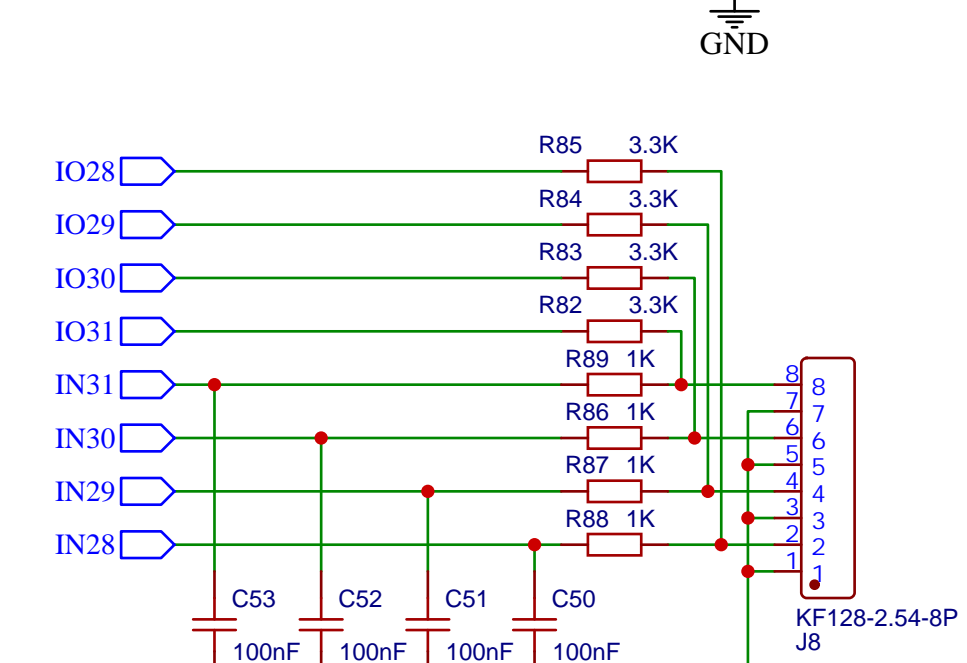
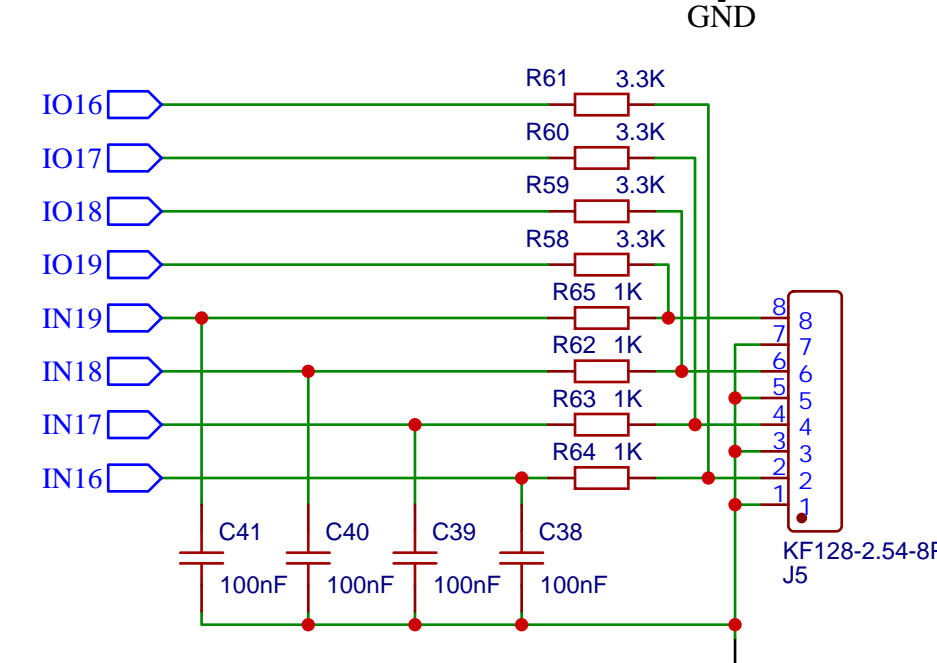
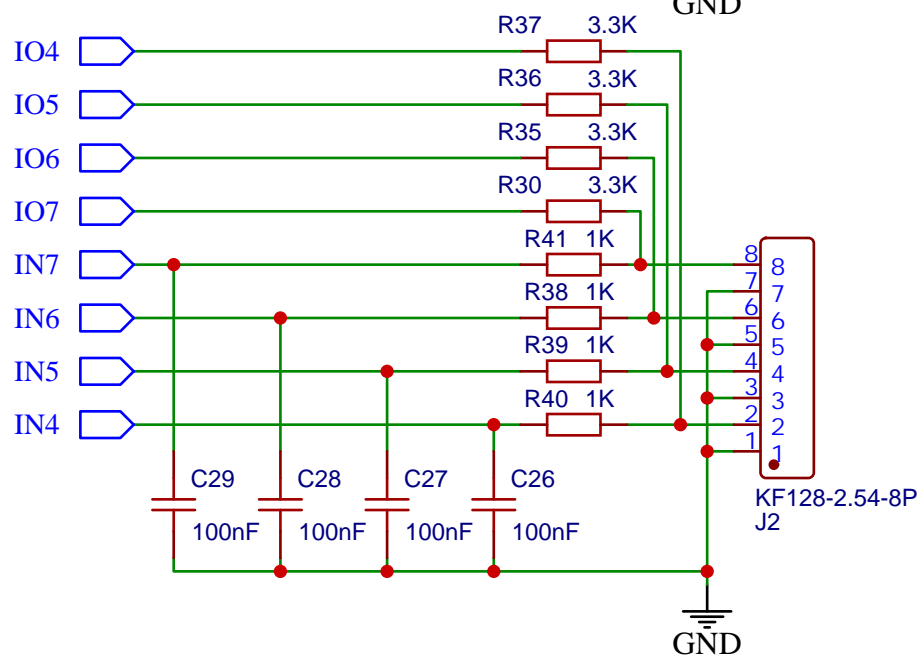
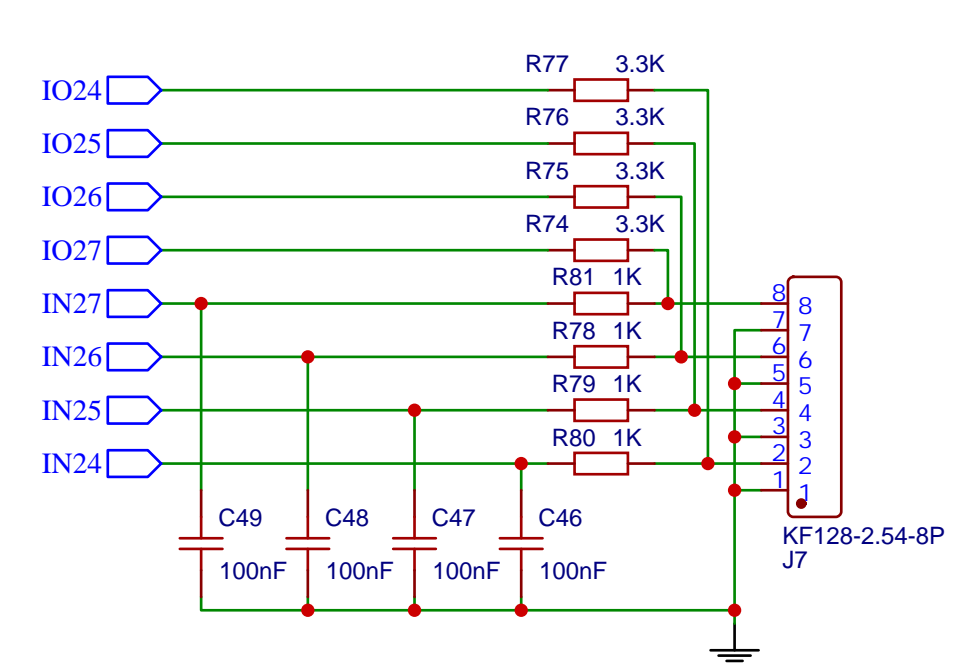
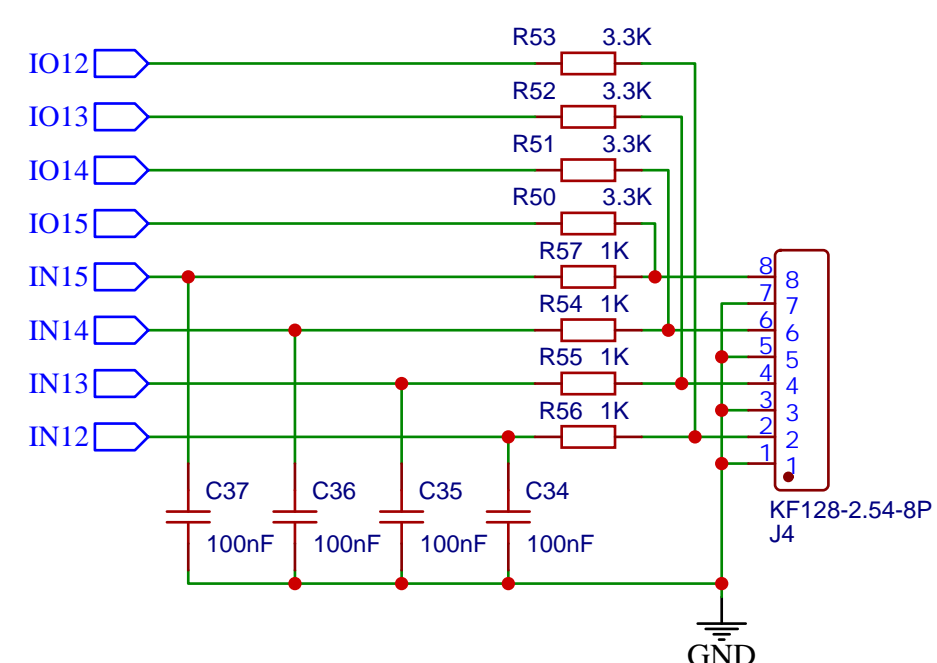
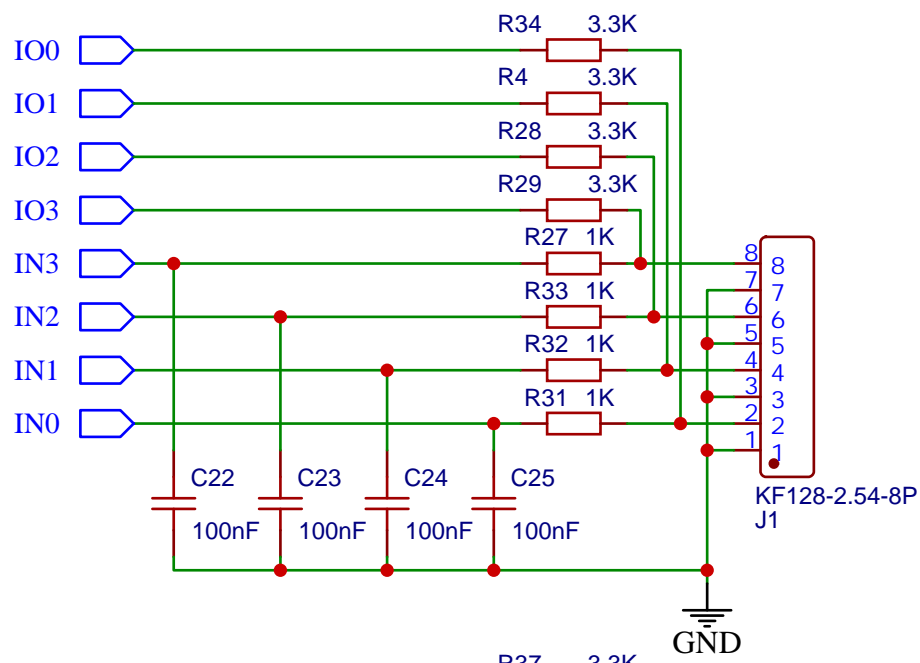


TITLE:	MCU and USB Interface	REV: 1.0
Company:	A2D Electronics	Sheet: 2/5
Date:	2020-08-24	Drawn By: Micah Black

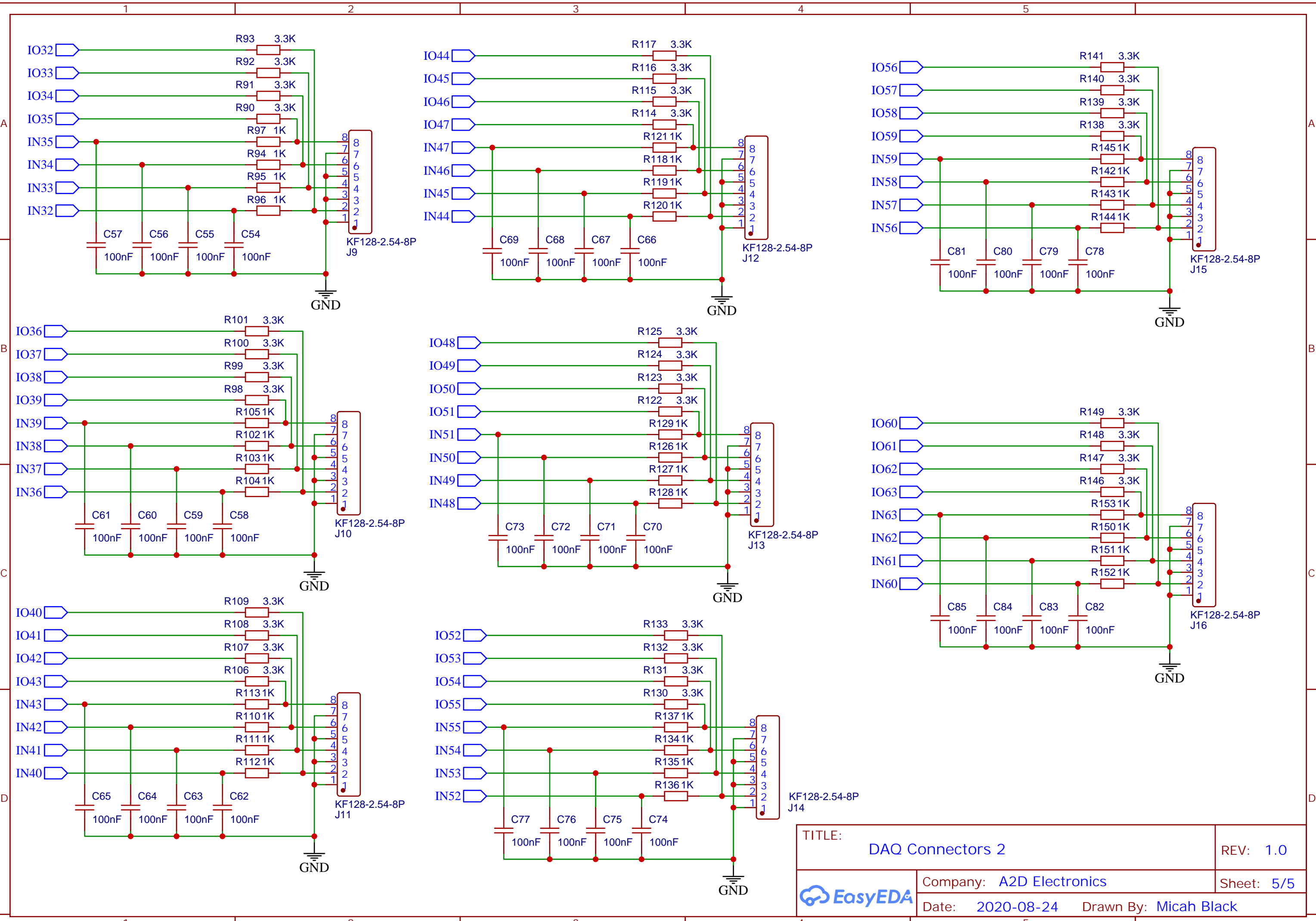



A1 A0 ADDRESS
 L L 0x74
 L H 0x75
 H L 0x76
 H H 0x77





TITLE: DAQ Connectors 1		REV: 1.0
	Company: A2D Electronics	Sheet: 4/5
	Date: 2020-08-24	Drawn By: Micah Black



TITLE: DAQ Connectors 2		REV: 1.0
	Company: A2D Electronics	Sheet: 5/5
	Date: 2020-08-24	Drawn By: Micah Black